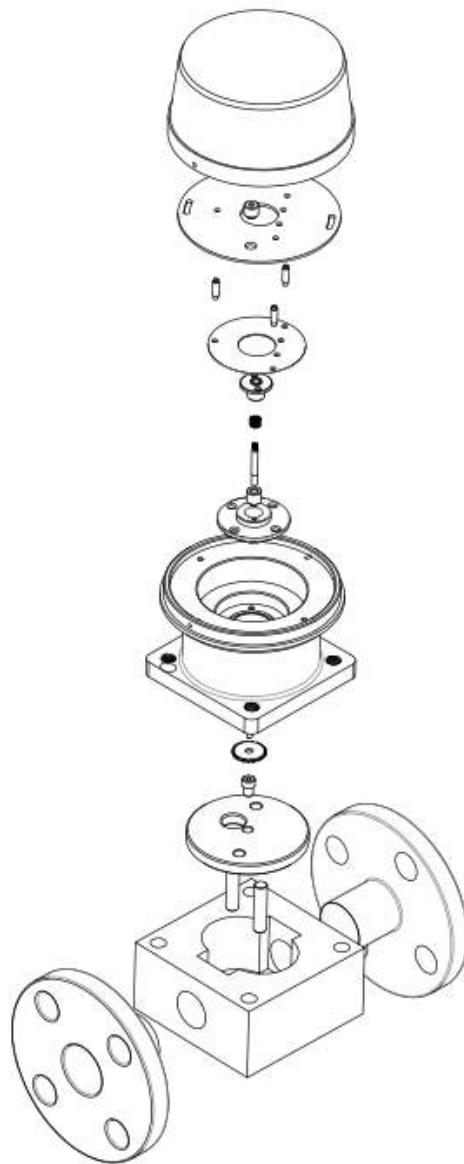




**DY-FLOWTECH Inc.**  
(DONG YANG INSTRUMENT & TRADING CO., LTD)

## DY-GH series



**Manufactured Since 1988**

# GENERAL SPECIFICATION

## ○ FEATURES

- ◇ High Accuracy  $\pm 0.5\%$
- ◇ High Temp. and pressure up to  $160^{\circ}\text{C}$ , 20Kg
- ◇ Easy to read digital and analog display
- ◇ High, Low speed pulse signal output
- ◇ Low cost and Long life

## ○ BASIC METER

Normal Size	20, 25, 32, 40 mm	
Accuracy	within $\pm 0.5\%$	
Max operating pressure	10Kg, 20Kg	
Max operating temperature	100°C, 160°C,	
Flange rating	ANSI #150, JIS10Kgf/cm <sup>2</sup> , JIS20Kgf/cm <sup>2</sup> , DIN 16bar ect.	
Material	Meter body	41C
	Rotor	Bronze,
Display	Totalizing counter	11-digit LCD
	Reset counter	6-digit LCD
	Analog counter	4-digit and 8-digit
Power	Lithium battery, DC24V, AC220V	
Output	Pulse, 4~20mA analog	

## ○ MODEL CODE

Model	size	Rotor	Temp	Display	Connection	Description						
GH		BZ	1			Body : 41C (DN20~DN40)						
						Bronze						
						2J	160°C				6 digit Flowrate/11 digit Totalizer (Battery type)	
											6 digit F/R /11 digit Totalizer/Pulse (Battery type)	
											6 digit F/R /11 digit Totalizer/Pulse (DC24V)	
											6 digit F/R /11 digit Totalizer/4-20mA (DC24V)	
											6 digit F/R /11 digit Totalizer/4-20mA (AC220V)	
											Analog type	
											TRD	BSP,NPT,PT,PF Thread
											J10	JIS 10K (JIS 5K is available)
		J20	JIS 20K									
		A15	ANSI 150#									
		A30	ANSI 300#									
		P16	PN16									
		P25	PN25									
		P40	PN40									

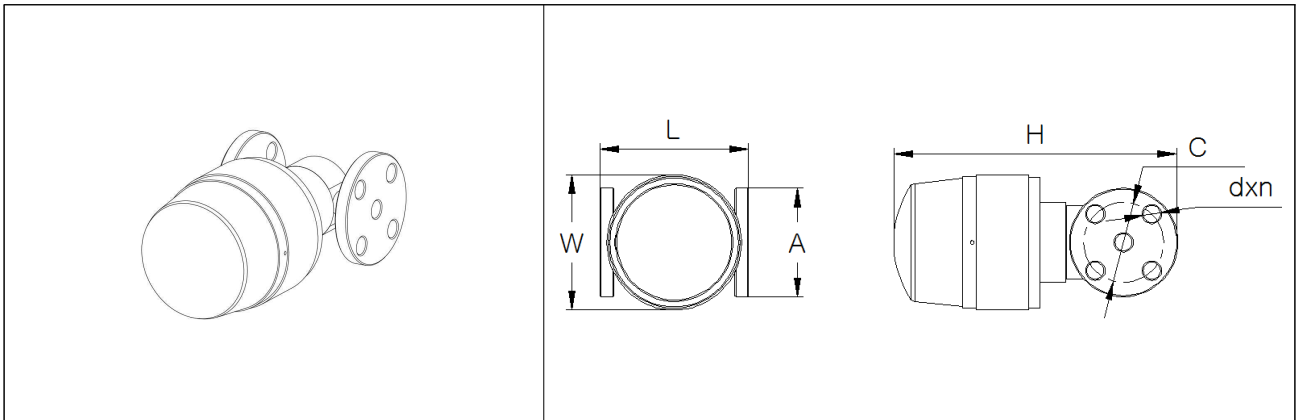
○ FLOW RANGE (BASIC OPTION)

MODEL	Size(mm)	Flow Range(m <sup>3</sup> /h)
GH	20	0.05 ~ 0.5
GH	25	0.1 ~ 1
GH	32	0.15 ~ 3
GH	40	0.3 ~ 4

○ PRINCIPLE

The flowmeter was designed a special two rotary of ovals for measuring the volume of liquid fluid when the fluid running into the meter pushes two ovals. The driving ovals drive a magnet coupling with a direct gear. Then the magnet coupling transmit to the totalizing counts with a gear too. It comes to measure the amount of the fluid that pass to the meter

○ DIMENSION



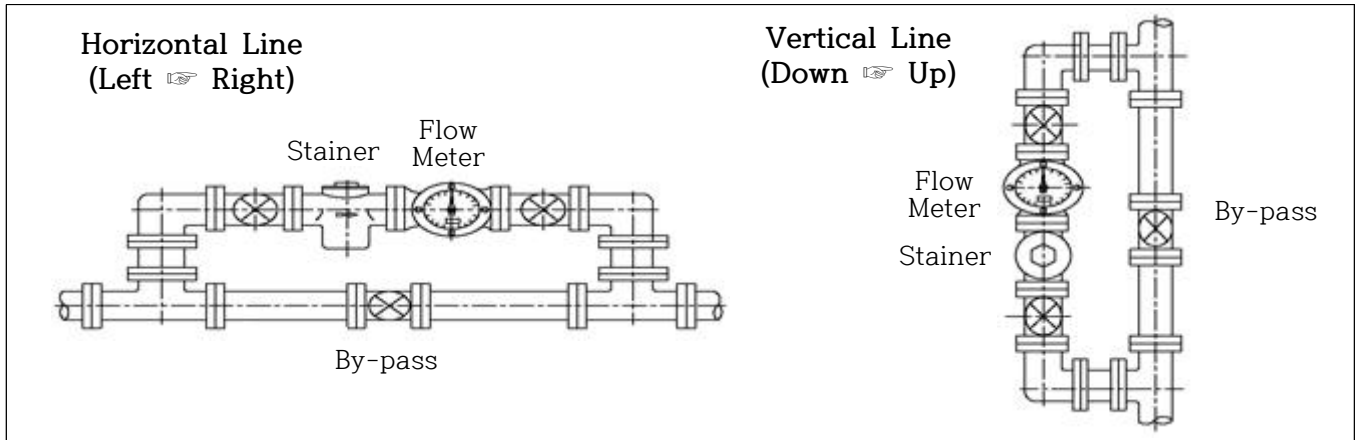
Size	L	H	W	A	C	d	N
GH20	200	170	114	100	75	15	4
GH25	200	238.5	114	125	90	19	4
GH32	200	253.5	114	135	100	19	4
GH40	220	216	160	140	105	19	4

For High Temp(MAX 160°C) - "H" dimension will be added +35(mm)  
 For Display Option - "H" dimension will be added +10(mm)or +20(mm)

## ○ INSTALLATION

Flow meters are designed to measure flow in only one direction.

The direction is indicated by the arrow on the body.



Flow altering device such as elbows, valves and reducers can affect accuracy.

In order to enhance accuracy and maximize performance, follow as below guidelines.

- ◇ Upstream: allow a minimum straight pipe length at least 10 times the internal diameter of the pipe. For example, with the 50mm pipe, there should be 500mm of straight pipe immediately upstream. Desired upstream straight pipe length is 1000mm.
- ◇ Downstream: allow a minimum straight pipe length at least 5 times the internal diameter of the pipe. For example, with the 50mm pipe, there should be 250mm of straight pipe immediately upstream. Desired upstream straight pipe length is 500mm.

## ※ CAUTION

1. Dirt and particles inside the piping cause problem to the flowmeter.  
Take special care when installing to new piping, because new piping may have welding debris.
2. Indicator must be installed at eye level and must not face upwards.

**DY-FLOWTECH Inc.**

#135-2, Gagok-li, Hwado-yp, Namyangju-si,  
Geonggi-do, 472-841, Korea  
[TEL] : +82-31-594-4748  
[FAX] : +82-31-594-4749  
dyit4514@naver.com